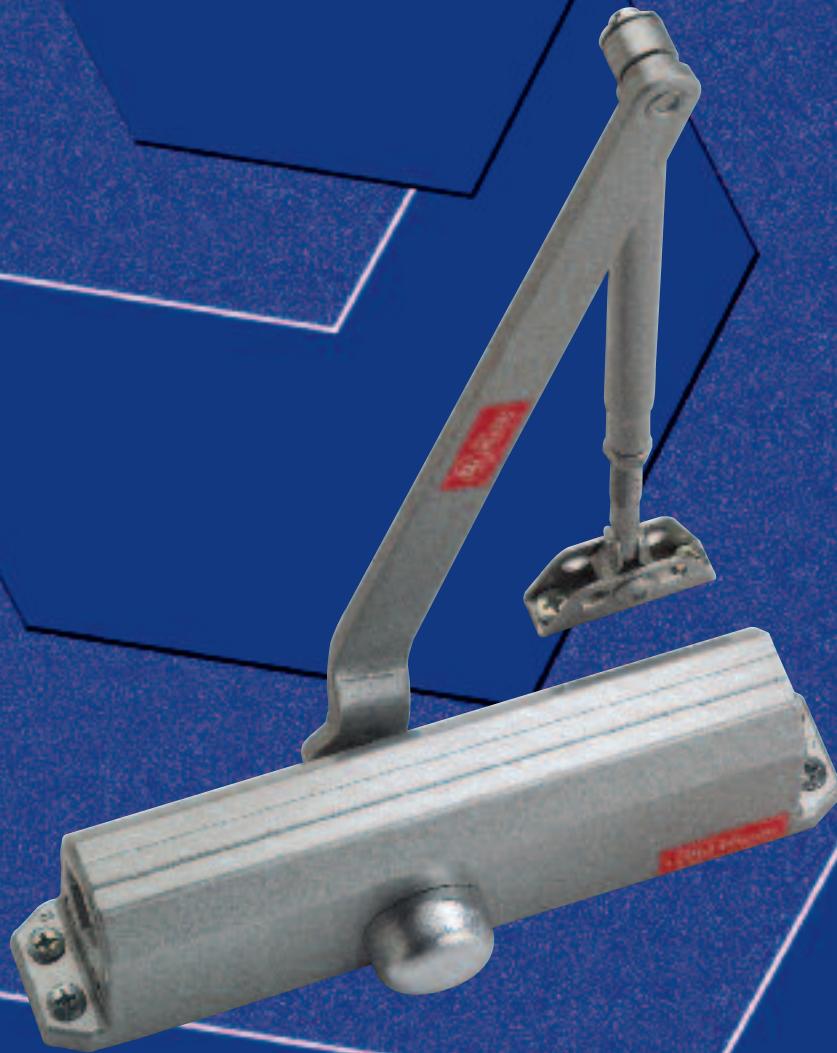


3100 Series

Commercial Door Control



3100 SERIES COMMERCIAL Door Control

SUGGESTED ARCHITECTURAL SPECIFICATIONS

All door closers shall be American Eagle 3100 Series with full rack and pinion construction, cast aluminum closer body, round style arm assembly and optional streamline cover. Hydraulic control shall be through separate non-critical sweep, latch and backcheck valve adjustment. Closers shall be non-handed, suitable for regular, top jamb and parallel arm applications with fasteners

for wood and metal doors and frames. Sex nuts and bolts shall be furnished standard. Closers shall be available in adjustable version size 1-4 or 3-6. Closers shall be listed by U.L./U.L.C., comply with UL 10C and UBC 7-2 (1997) for positive pressure and certified to ANSI A156.4 Grade 1.

SPECIFICATIONS – 3100 SERIES

HANDING: Non-handed

OPERATION: Rack and pinion design

BODY: High strength aluminum alloy

ADJUSTMENT: Adjustable controlled closing / Separate hydraulic backcheck standard / Separate sweep, latch and backcheck intensity valves

SIZE: Adjustable spring size 1 through 4 or 3 through 6 / Available to meet barrier free opening force requirements

MOUNTING: Common 9-1/16" x 3/4" mounting hole pattern / Tri-packed for regular, top jamb and parallel arm installations / Optional hold open arm / Optional DS heavy duty parallel stop arm / Sex nuts and bolts standard / Self drilling, self tapping screws available

COVER: Streamline plastic cover optional

FINISHES: Sprayed aluminum, dark duranodic bronze and gold

CERTIFICATION: ▶ UL and ULC listed / Complies with UL 10C and UBC 7.2 (1997)



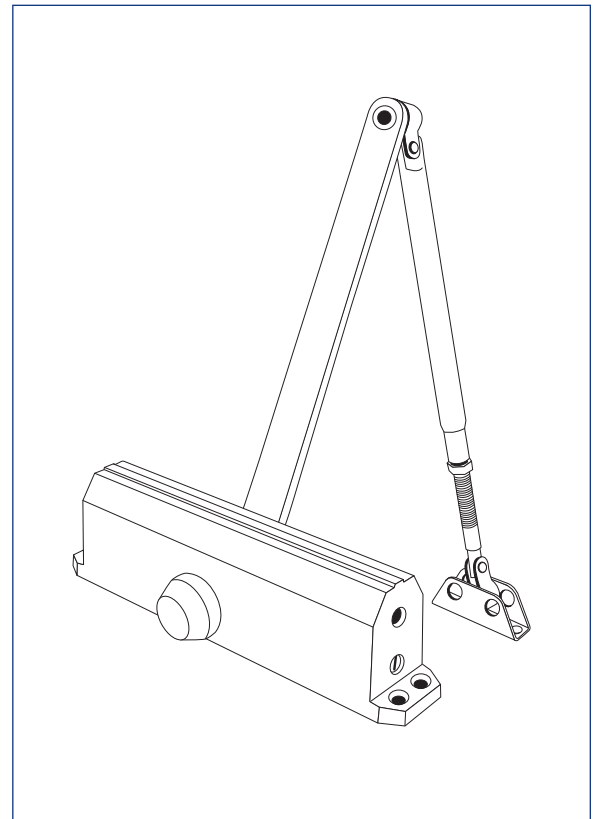
▶ Certified to ANSI A156.4 Grade 1



WARRANTY: Five (5) year limited warranty

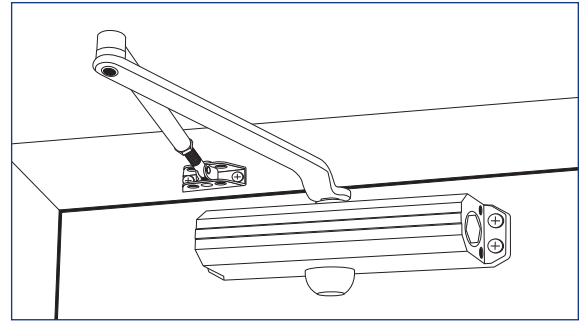
COUNTRY OF ORIGIN: Manufactured in the Republic of South Korea, a country that has signed a Trade Agreements Act with the U.S.A. and is identified as a Designated Country; thus, waiving the Buy American Act.

3100 SERIES



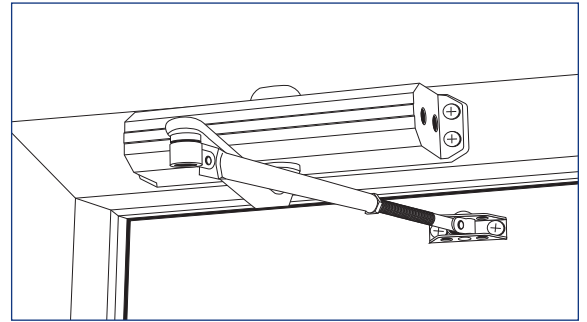
REGULAR ARM

Regular arm mount is a pull side application with double lever arm. The closer mounts on the door and the arm mounts to the frame. It provides the most efficient operation for a door control and is commonly used on in-swing doors from corridors or other interior doors. Regular arm mount is a poor choice for exterior out-swinging doors as it would put the closer on the exterior of the building. The arm assembly projects directly out from the frame. That may be a concern for vandalism or aesthetics. Regular arm application can be used with non-hold open or hold open arms.



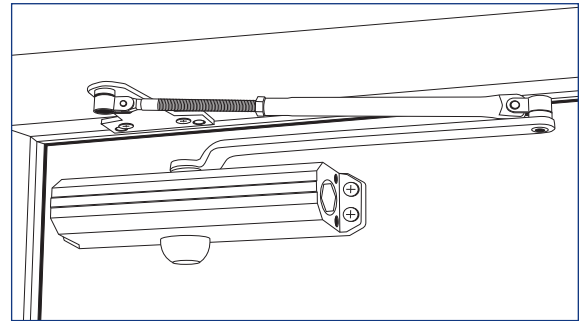
TOP JAMB

Top jamb mount is a push side double lever arm application that offers the best alternative to regular arm mount. The closer mounts to the frame and the arm mounts to the door. This application is commonly used on exterior out-swinging doors. It is a poor application for in-swinging doors from a corridor as it places the closer arm in a visible application projecting into the corridor. The arm projects out similar to regular arm mount. Therefore, it can be a concern for vandalism or aesthetics. Top jamb application can be used with non-hold open or hold open arms.



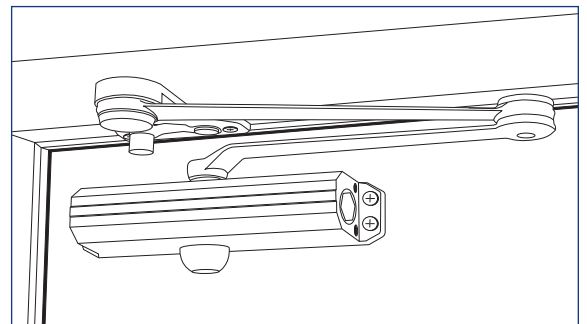
PARALLEL ARM

Parallel arm mount is a push side double lever arm application. The closer is installed on the push side of the door and the arm is mounted to a parallel arm adapter plate installed to the frame soffit. The arm is approximately parallel with the face of the door, eliminating the projection condition evident with regular arm and top jamb applications. Parallel arm is often preferred where aesthetics or vandalism are concerns. Parallel arm is less efficient than regular or top jamb mounts due to the geometry of the arm. Parallel arm application can be used with non-hold open or hold open arms.



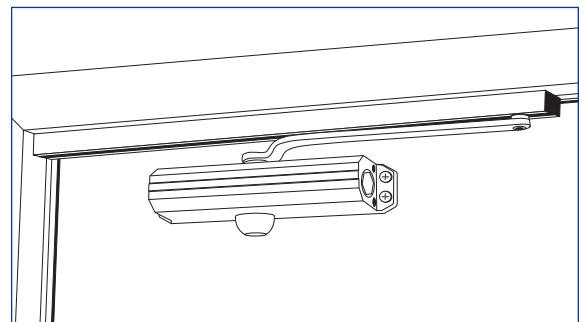
PARALLEL ARM (DS/DSHO) STOP ARM

The parallel stop arm mount is an enhanced version of the parallel arm application. It is similar to the parallel arm mount but incorporates a heavy duty rigid arm and soffit plate with limiting dead stop. The dead stop feature is field handed. The closer's backcheck function should be adjusted to cushion the impact of the stop. The parallel stop arm is intended for use where an auxiliary stop cannot be utilized. The parallel stop arm is available in non-hold open (DS) and hold open (DSHO) applications.

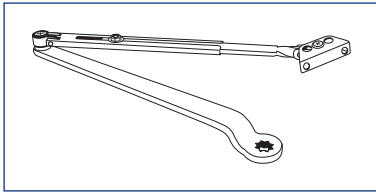


TRACK ARM (TA)

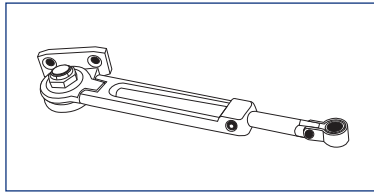
The Non Handed Track arm mount incorporates a single forged main arm for installation in high use, high abuse door applications. It's low profile helps prevent damage.



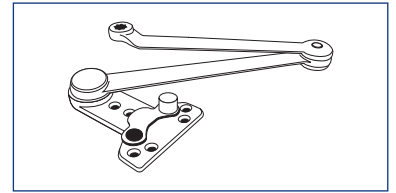
ACCESSORIES/OPTIONS



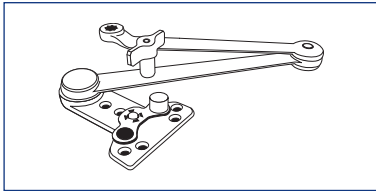
REGULAR ARM - RA Complete arm assembly with stamped steel main arm and flat form style arm and shoe assembly. (#319003)**



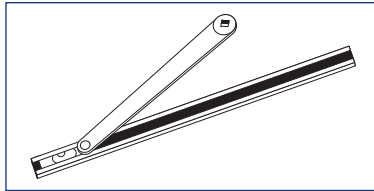
HOLD OPEN ARM - HO Friction hold open arm assembly. Provides single point hold open from maximum opening to approximately 80 degrees. (#319002)***



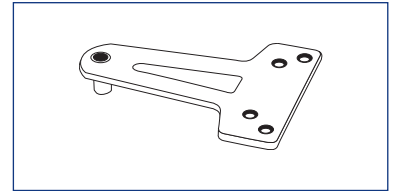
DOOR SAVER ARM - DS Enhanced version of parallel arm application. Heavy duty rigid arm assembly and soffit plate with field reversible dead stop. Non-hold open version. (#319005)****



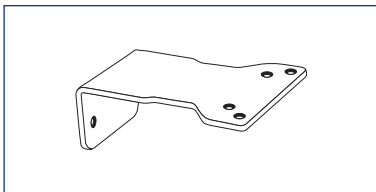
DOOR SAVER HOLD OPEN - DSHO Similar to DS arm but incorporates a thumb turn hold open function. (#319016)****



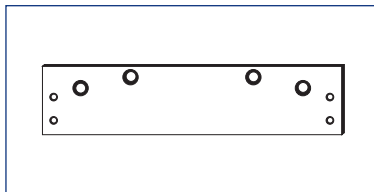
TRACK ARM - TA Heavy duty non-handed track arm for mounting on interior doors. Ideal for high use door. (#319025)



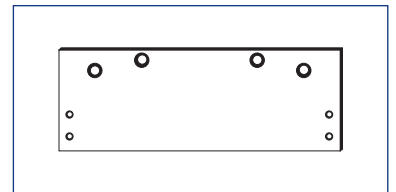
PARALLEL ARM BRACKET - PA Bracket used when mounting parallel arm with regular arm non-hold open assembly. (#319001)**



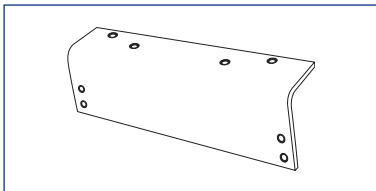
PARALLEL ARM HO BRACKET - PAHO Bracket used when mounting parallel arm with hold open arm assembly. (#319022)***



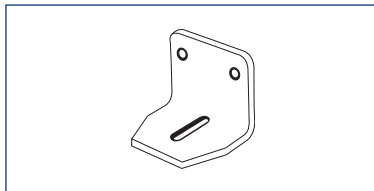
BACK PLATE - BP For top jamb mount with limited overhead clearance or regular arm to clear a mortised stop/holder. (#319008)



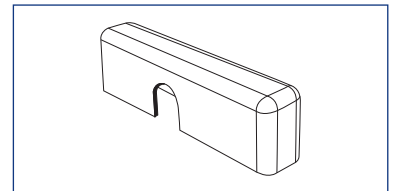
DROP PLATE - DP For top jamb mount with limited overhead clearance or to provide clearance for a surface applied stop/holder. Can also be used parallel arm with a narrow top door rail. (#319009)



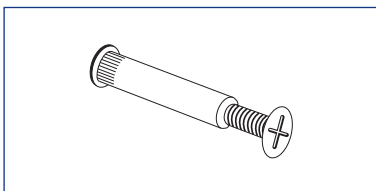
ANGLE BRACKET - AB For push side installation where regular or parallel arm applications are not practical. Can be used to provide clearance for a surface applied stop/holder. (#319010)



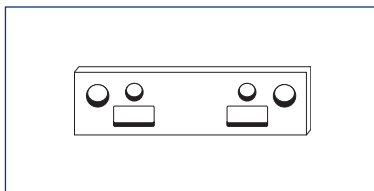
NARROW FRAME BRACKET - NFB Used with DS/DSHO applications where narrow frame conditions require additional reinforcement of soffit plate. (#319011)



STREAMLINE COVER - SV Streamline plastic cover, non-handed. (#319006)




SEX NUTS AND BOLTS - SNB Recommended for unreinforced wood or composite labeled fire doors. For 1-3/4" thick doors only. (#319004)*



BLADE STOP - BS Kit includes longer fasteners and 1/2" metal spacer for use with 1/2" blade stops commonly found in store front aluminum doors. (#999026)

*Included with all closers **Included with PA designation ***Included with HO designation ****Included with DS/DSHO designation

HOW TO ORDER

SERIES		BACKCHECK		FINISH	
Closer Series		BC – Adjustable Hydraulic Backcheck (Standard)		689 – Aluminum 695 – Duro Bronze 696 – Gold	
31	00	BC	PA	689	SV
00 – Adjustable Size 3-6 01 – Adjustable Size 1-4 		PA – Tri-Pack (standard) HO – Hold Open, Tri-Pack DS – Door Saver Arm DSHO – Door Saver Hold Open Arm TA – Track Arm		Blank – SNB (standard) BP – Back Plate DP – Drop Plate AB – Angle Bracket NFB – Narrow Frame Bracket SV – Streamline Cover	
SIZE		APPLICATION		OPTIONS	

SIZE SELECTOR

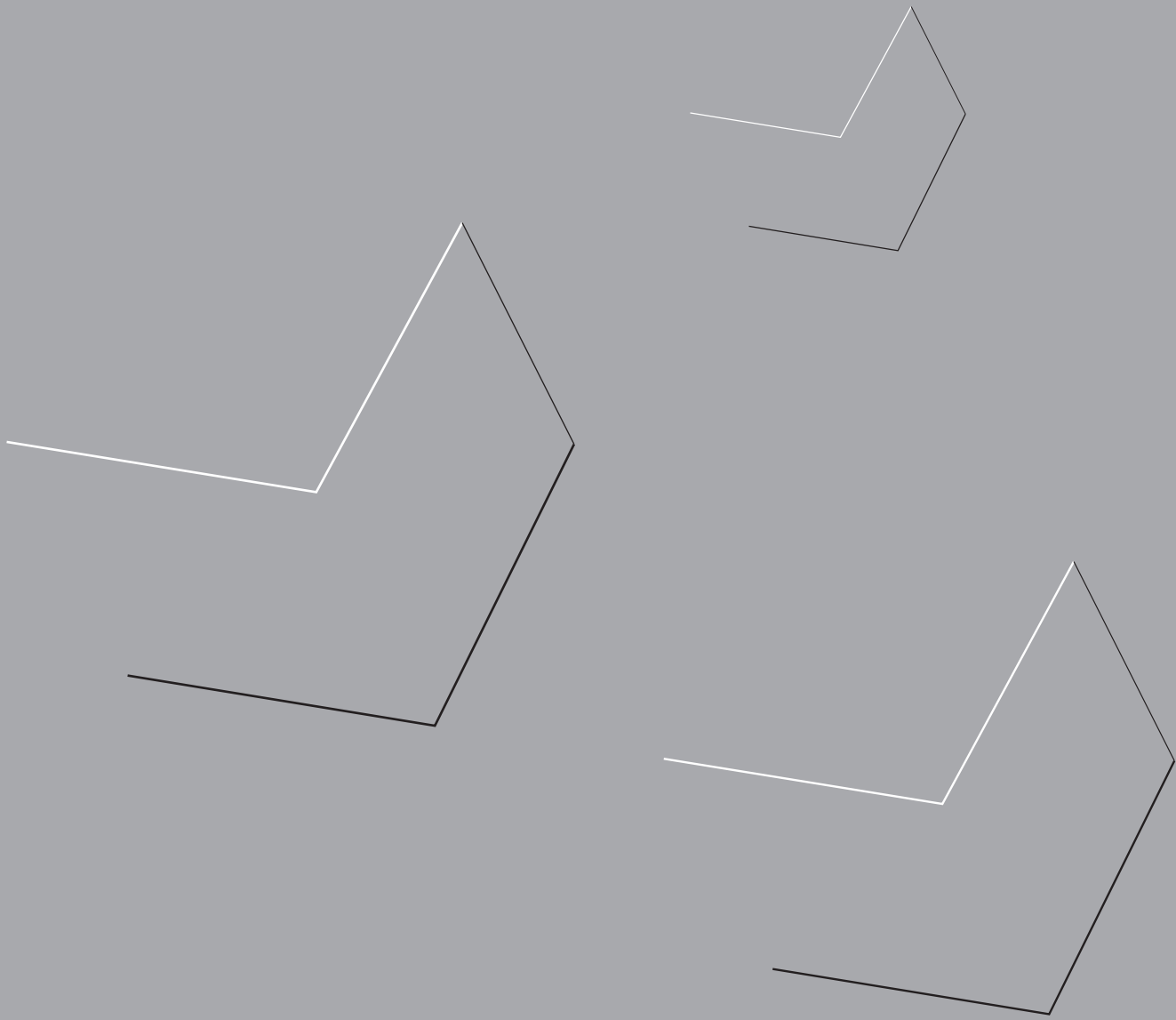
APPLICATION	CLOSER SIZE (Unit can be adjusted to the following sizes. See instructions enclosed with closer)	INTERIOR	EXTERIOR
Regular / Top Jamb	1	2'0"	—
	2	2'6"	2'0"
	3	3'0"	2'6"
	4	3'6"	3'0"
	5	4'0"	3'6"
	6	4'6"	4'0"
Parallel Arm	3	2'6"	—
	4	3'0"	2'6"
	5	3'6"	3'0"
	6	4'0"	3'6"

Note: 3100 Series Closers can be installed and adjusted to meet 5 lbf. and 8.5 lbf. barrier free applications. However, it can not be guaranteed the door will close and latch while complying with barrier free restrictions.

CROSS REFERENCE

AMERICAN EAGLE	CAL ROYAL	CORBIN/ RUSSWIN	DOR-O-MATIC	DORMA	HAGER	LCN	NORTON	SARGENT	YALE	TELL
3100	300	—	SC60	640/7300 7400	5300	1070 1370	1600	1130	50	600

No products are exactly alike. This cross reference represents our judgement of products that are most similar. Information has been obtained from trade sources. It is not represented nor guaranteed that any product exactly equals any other product.



PO Box 507 2754 Creek Hill Road Leola PA 17540
800 441 9692 • 717 656 4281 • 717 656 6892 Fax
www.pdqlocks.com

PDQ'S 3100 Series Brochures are now printed entirely on Forest Stewardship Council certified paper. FSC Certification ensures that the paper used in this catalog contains fiber from well-managed and responsibly harvested forests that meet strict environmental and socioeconomic standards. We're proud to be one of the first hardware manufacturers in the country to make this significant move to help our environment. The FSC logo on our brochure signals not only FSC Certification, but also PDQ's commitment to improving the environment.

